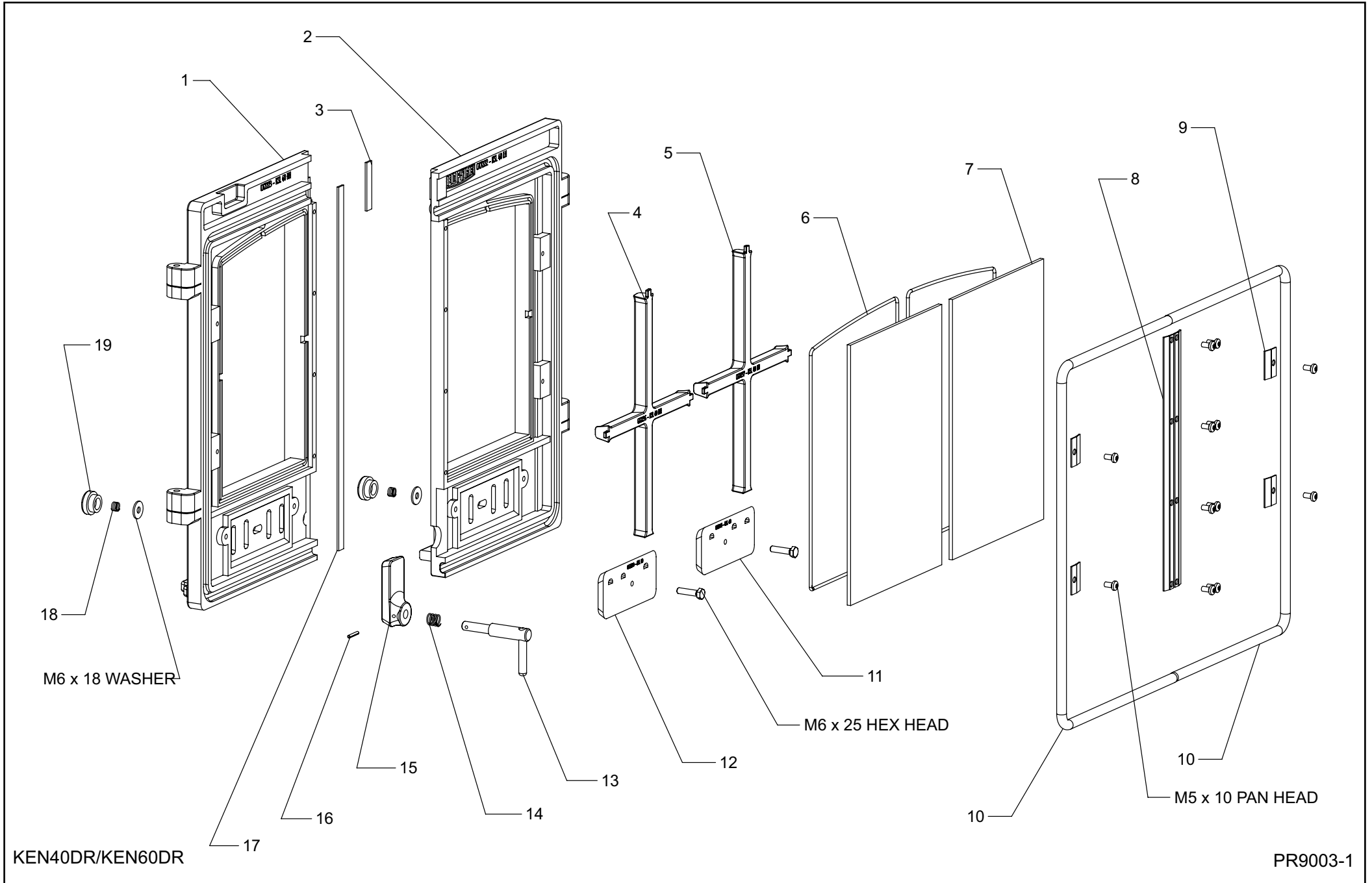


# KENSAL Twin Door Assembly

# **KENSAL**



KEN40DR/KEN60DR

PR9003-1

# KENSAL 40 Twin Door Assembly - Parts List

# **KENSAL**

Balloon	Part Number	Description	Drawing	Weight (Kg)	Offered as spare part
1		DOOR RH	CA7223	7.6	
2		DOOR LH	CA7222	6.3	
3	4955	DOOR SEALING ROPE 10 x 2 - 51LG	CE7208	0.01	✓
4	RF40.54L	GLAZING BAR RH	CA7236	0.6	✓
5	RF40.54R	GLAZING BAR LH	CA7237	0.5	✓
6	4974H	DIA 3 GLASS SEALING ROPE - 1500LG	CE7179	0.03	✓
7	GL0227	GLASS - 2 DR	CE7018	0.6	✓
8	RF.16	GLASS FIXING CLIP	RA501035	0.1	✓
9	SM16	GLASS CLIP	RA7019	0.005	✓
10	4970	DIA 14 RH DOOR ROPE SEAL - 850LG	CE7207	0.1	✓
11	RF40.4L	PRIMARY AIR SLIDER LH	CA7381	0.2	✓
12	RF40.4R	PRIMARY AIR SLIDER RH	CA7230	0.2	✓
13	RF.17	DOOR SPINDLE ASSY	MEC7769	0.2	✓
14	FA9017	SPRING	FA9017	0.007	✓
15	RF.7	KNOB 'A'	CA7247	0.2	✓
16	YM-F00004	SPIROL PIN Ø3 x 18 LG	YF00004	0.001	✓
17	4955	SEALING ROPE 10 x 2 - 385LG	CE7061	0.01	✓
18	FA9018	KENSAL PRIMARY AIR SLIDER SPRING	FA0911	0.006	✓
19	RF.58	PRIMARY KNOB	CA7240	0.03	✓